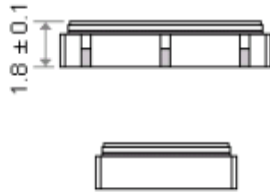
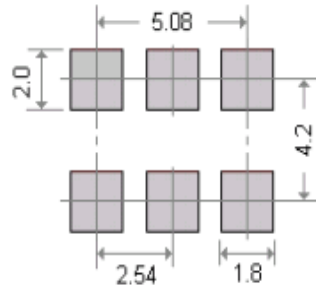
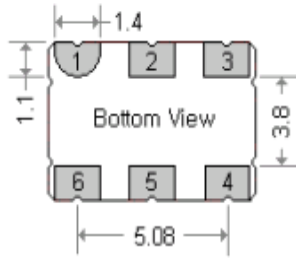
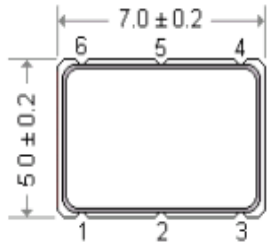


BV0507E VCXO Specifications

Parameter	Value			Unit	Conditions	
	Min.	Typ.	Max.			
Supply Voltage	-	5	-	V	±5%	
Current with Output	-	-	35	mA		
Frequency Range	1 ~ 50			MHz		
Nominal Frequency	10, 24, 24.576, 25, 27,50			MHz		
Freq. Stability Vs. Temp.	±25	-	±100	ppm	-10°C~+70°C	
	±25	-	±100	ppm	-40°C~+85°C	
Aging/ First Year	-3	-	+3	ppm	Frequency drift in first year	
Operating Temperature range	-40	-	+85	°C		
Storage Temperature range	-50	-	+100	°C		
Output TTL	V _{OH}	2.4	-	-	V	Load=15pf
	V _{OL}	-	-	0.4	V	Load=15pf
	Duty Cycle	45	50	55	%	
	Rise/Fall Edge	-	4	6	ns	0.4~2.4V
	Load	-	-	15	pf	
Output CMOS	V _{OH}	4.5	-	-	V	Load=15pf
	V _{OL}	-	-	0.5	V	Load=15pf
	Duty Cycle	45	50	55	%	
	Rise/Fall Edge	-	4	6	ns	20%~80% of wave form
	Load	-	-	15	pf	
Tri-State	Output Active	0.7V _{dd}	-	-	V	Or no connection to enable
	Output in High-Impedance State	-	-	0.3V _{dd}	V	Maximum to disable output (high impedance)
Start Time	-	5	10	mSec		
Period Jitter (Pk-Pk)	-	1	-	ps	1ps(12KHz~20 MHz, RMS), F series; 0.6ps(12KHz~20 MHz, RMS), N series	
SSB Phase Noise @27MHz	-	-	-75	dBc/Hz	Offset 10Hz	
	-	-	-105		Offset 100Hz	
	-	-	-132		Offset 1kHz	
	-	-	-145		Offset 10kHz	
	-	-	-148		Offset 100kHz	
	-	-	-150		Offset 1MHz	
	-	-	-152		Offset 10MHz	
Control Center Voltage	2.5			V		
Control Voltage Range	0.5	-	4.5	V		
Frequency Turning Range	±80	-	-	ppm		

Outline Dimension & Pin Connections

General Specifications (Unit : mm)



Pad Connections :
 Pad 1 : Control Voltage
 Pad 2 : Tri - state
 Pad 3 : Ground
 Pad 4 : Output
 Pad 5 : Tri - state
 Pad 6 : Supply voltage

Suggested Land Pattern

Ordering Guide

BV 0507E X X X XXX XXXXX XX.XX T

Product:
VCXO

Outline:
5.0 x 7.0mm 6pin

Output:
H:LVC MOS/TTL

Supply Voltage:
2: 2.5 Vdd
3: 3.3 Vdd

Temp. Range:
C: -10°C ~ +70°C
I: -40°C ~ +85°C

Tri-state function
: Tri-state unavailable
T: Tri-state available

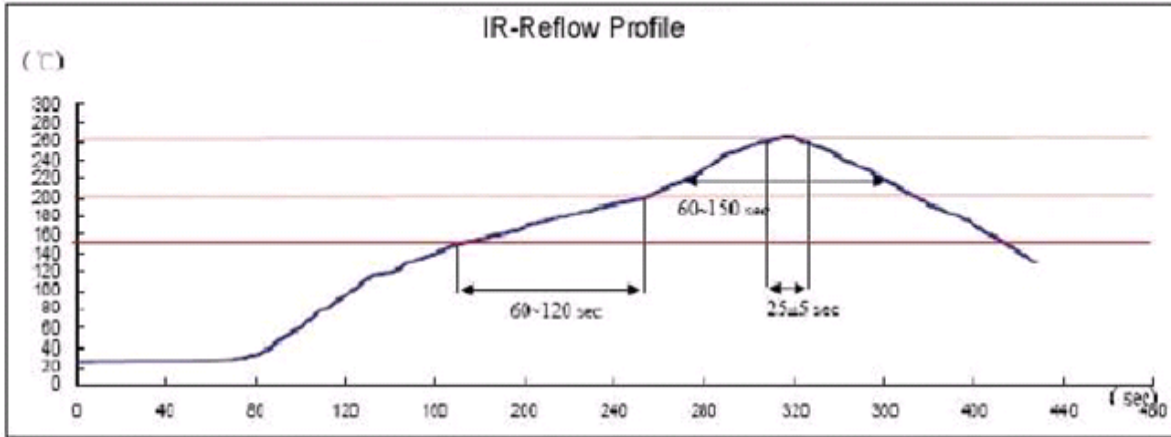
Frequency in MHz

Tuning Range:
XXXN: XXX ppm minimum
XXXM: XXX ppm maximum
XXXT: XXX ppm typical

Stability vs. Temp.
255: ±25ppm
505: ±50ppm
104: ±100ppm

Example: BV0507EH5C506X100N25T

IR Reflow Profile



IR-Reflow Test

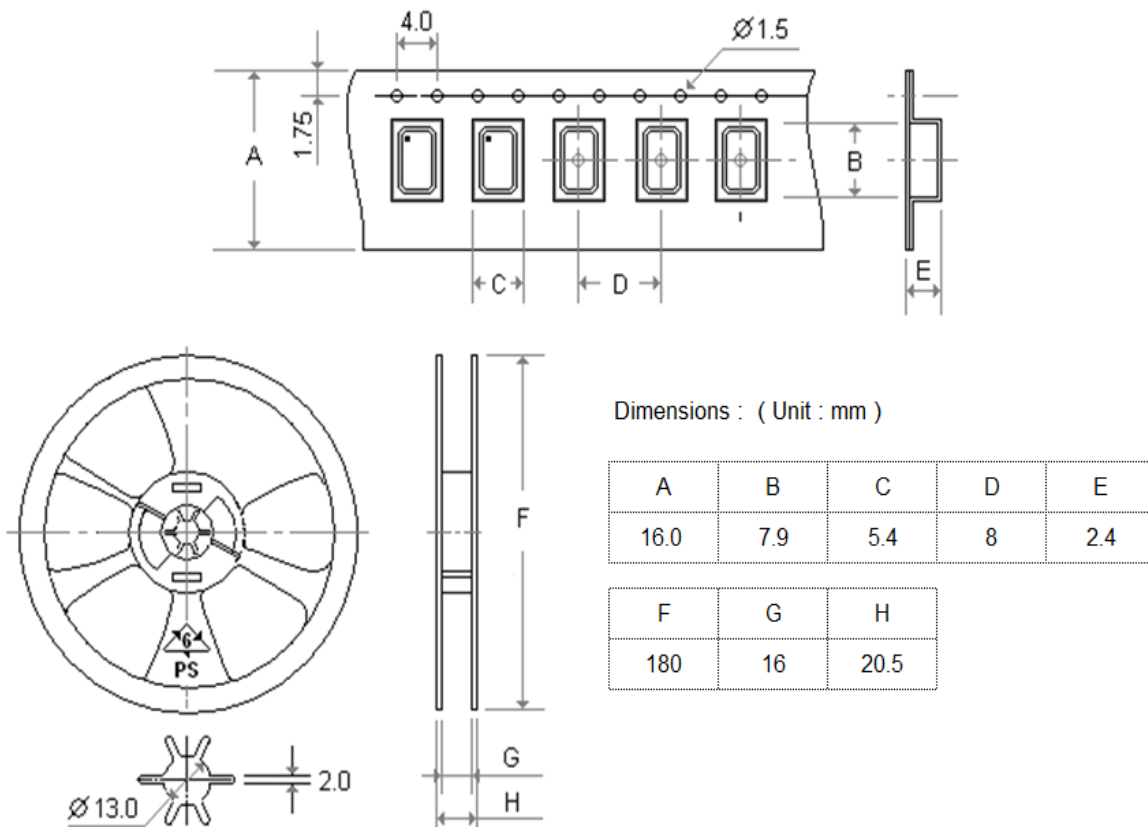
Reference Standard : JEDEC-STD 020

Test Conditions: Pre-heating : 150°C to 200 °C, 60~120 sec

Heating : 217 °C , 60~150 sec

Peak Temperature : 260±5 °C, 25±5 sec

Tape & Reel Information



Disclaimer

Xtaltq Technologies Co., Limited reserves the right to make changes to the product(s) and/or information contained herein without notice. No liability is assumed as a result of their use or application. No rights under any patent accompany the sale of any such product(s) or information.